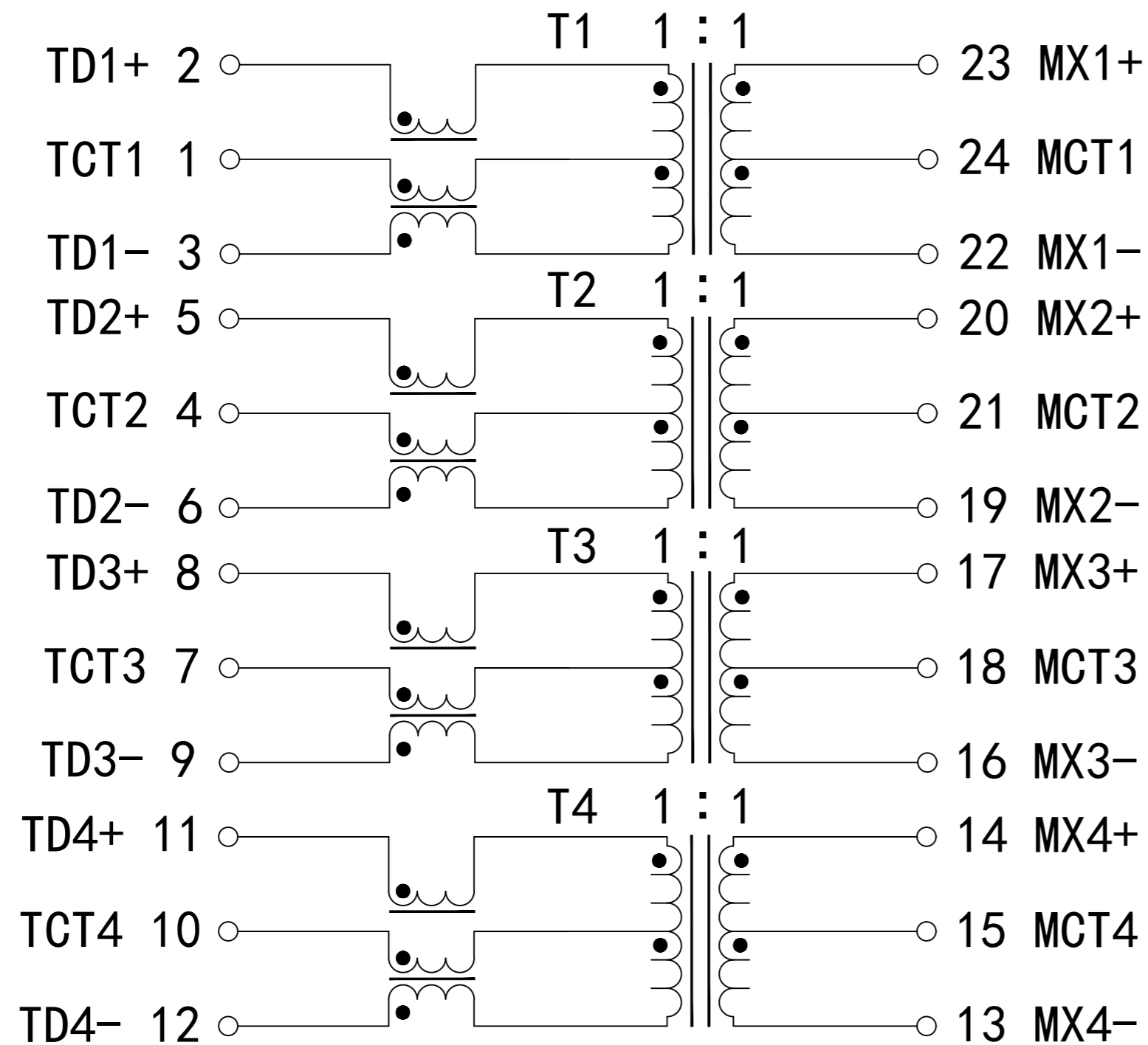


Schematic:



REV.	ECN NO.	DESCRIPTION	DATE	APPD
A	REL		06/11/2009	

Electrical Specification @25°C

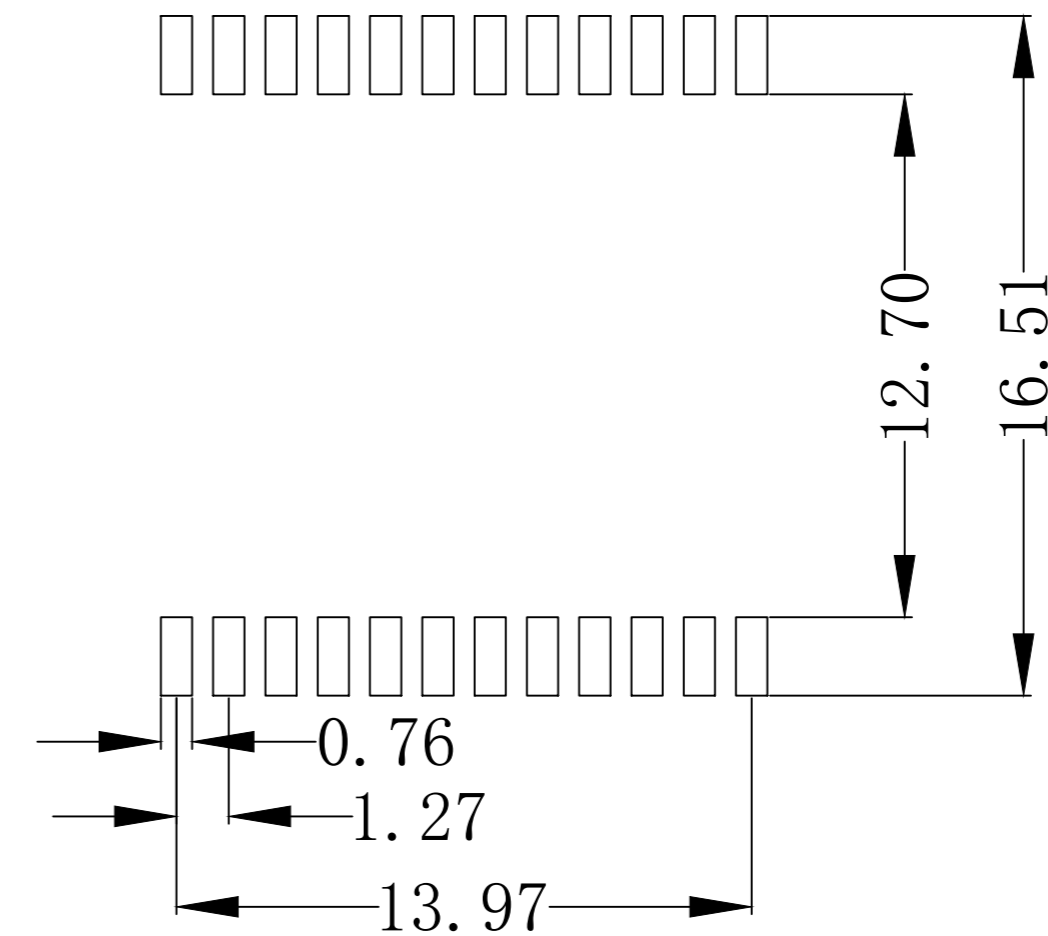
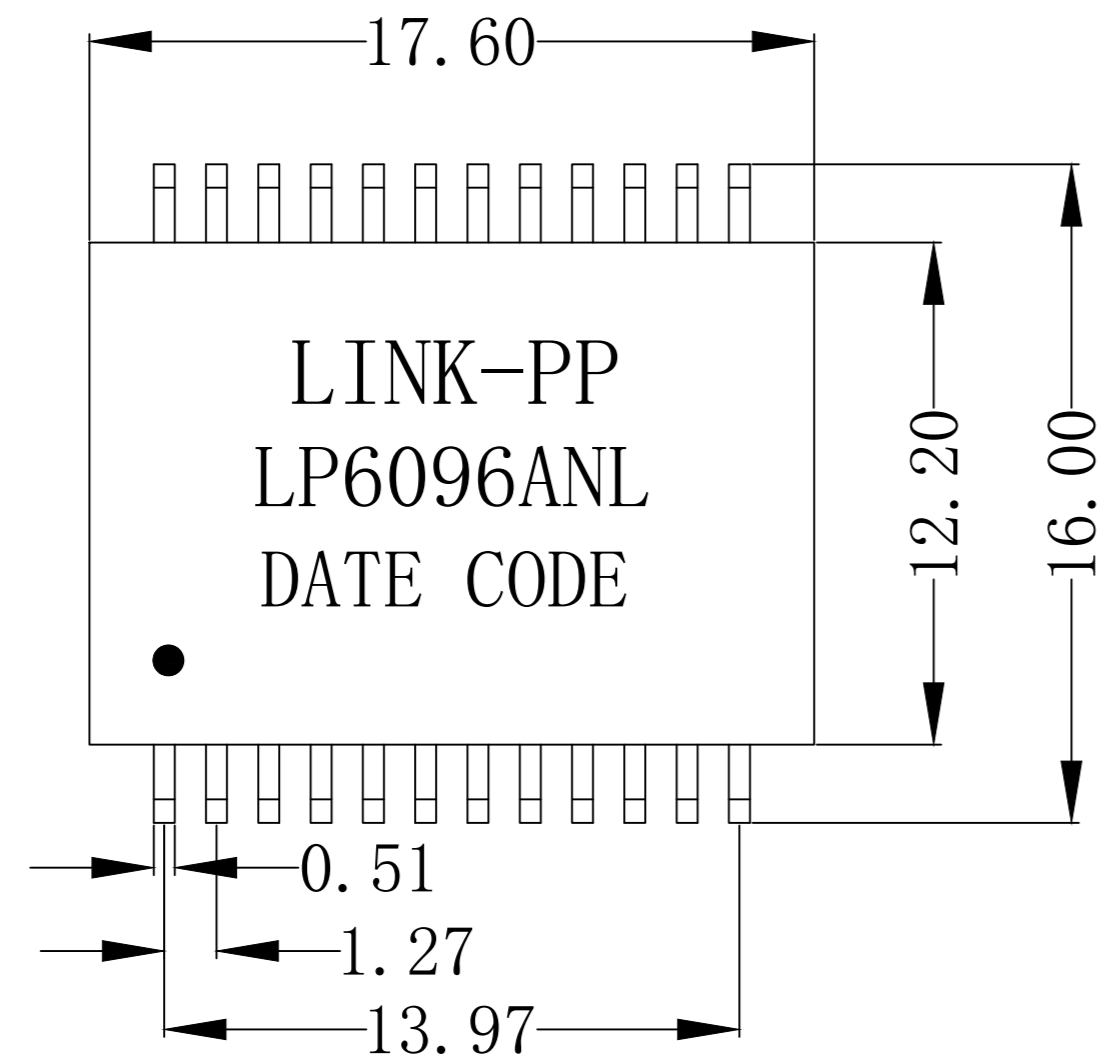
- Turns Ratios:
Pri:Sec = 1CT:1CT
- OCL:
350uH Min @ with 8mA DC Bias
220uH Max @ with 18mA DC Bias
- Insertion Loss(dB Max):
0.1MHz: -1.2 1-125MHz: -2.0
- Return Loss(dB Min):
1-40MHz: -16 40-100MHz: -10
- Crosstalk(dB Min):
30MHz: -43 60MHz: -37
100MHz: -33
- CMRR(dB Min):
30MHz: -30 200MHz: -15
- DCR Balance: $1\Omega \pm 0.05\Omega$
- Balance DC Line current:
720mA MAX, @57VDC Continuous;
- Hipot: 1500Vrms
- Operating Temperature: $-40^{\circ}\text{C} \sim +85^{\circ}\text{C}$.



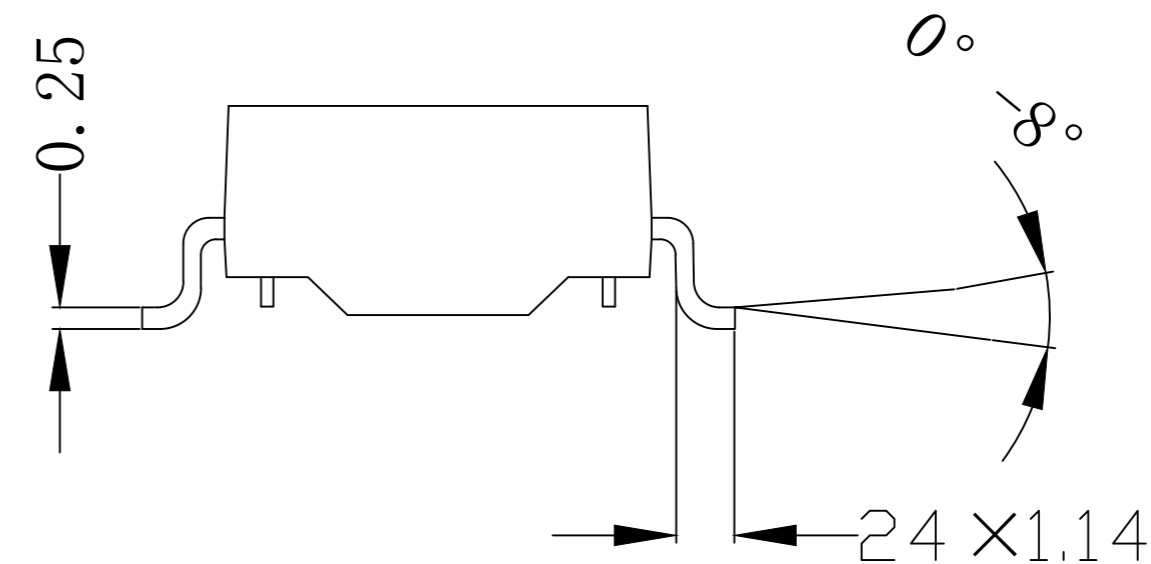
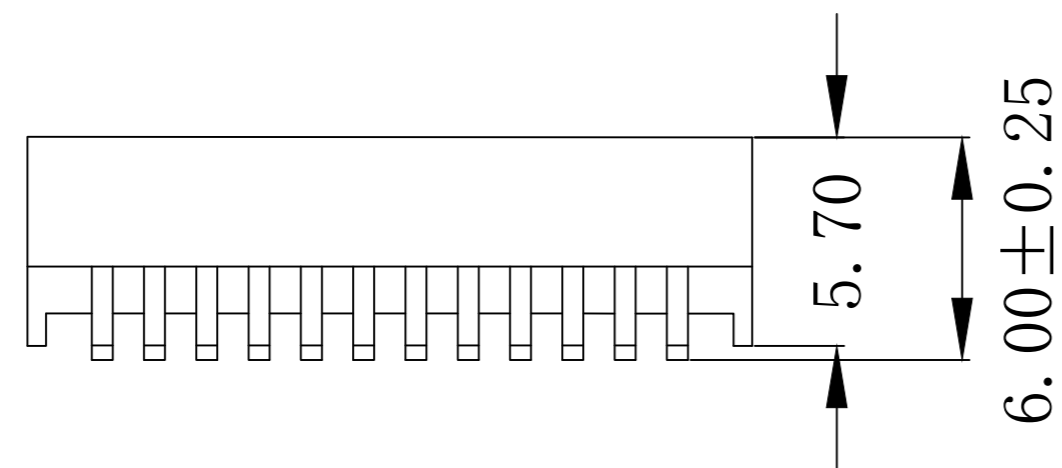
X:X	APPD: TOM	LINK-PP INT'L TECHNOLOGY CO., LIMITED		
X:XX ±0.25	CHKD: JAMES	TITLE: 1000Base-T Magnetic Modules For PoE+ Application		
X:XXX	DR: LEO	PART NO.: LP6096ANL		
ANGLES ±1°	UNIT: mm	DWG NO.: LP09110632		
	SCALE: 2/1	SHEET: 1/2	REV: A	

Mechanical:

REV.	ECN NO.	DESCRIPTION	DATE	APPD
A	REL		06/11/2009	



SUGGESTED PAD LAYOUT



NOTES:

1. Designed to support application, such as SOHO (ADSL modems), LAN-on-Motherboard (LOM), hub and Switches.
2. Meets IEEE 802.3at specification.
3. Maximun reflow temperature is 250°C, 5 Sec.
4. UL certification: file number E484635.



X:X	APPD: TOM	LINK-PP INT'L TECHNOLOGY CO., LIMITED
X:XX ±0.25	CHKD: JAMES	
X:XXX	DR: LEO	TITLE: 1000Base-T Magnetic Modules For PoE+ Application
ANGLES ±1°	UNIT: mm	PART NO.: LP6096ANL
	SCALE: 2/1	SHEET: 2/2
	REV: A	DWG NO.: LP09110632