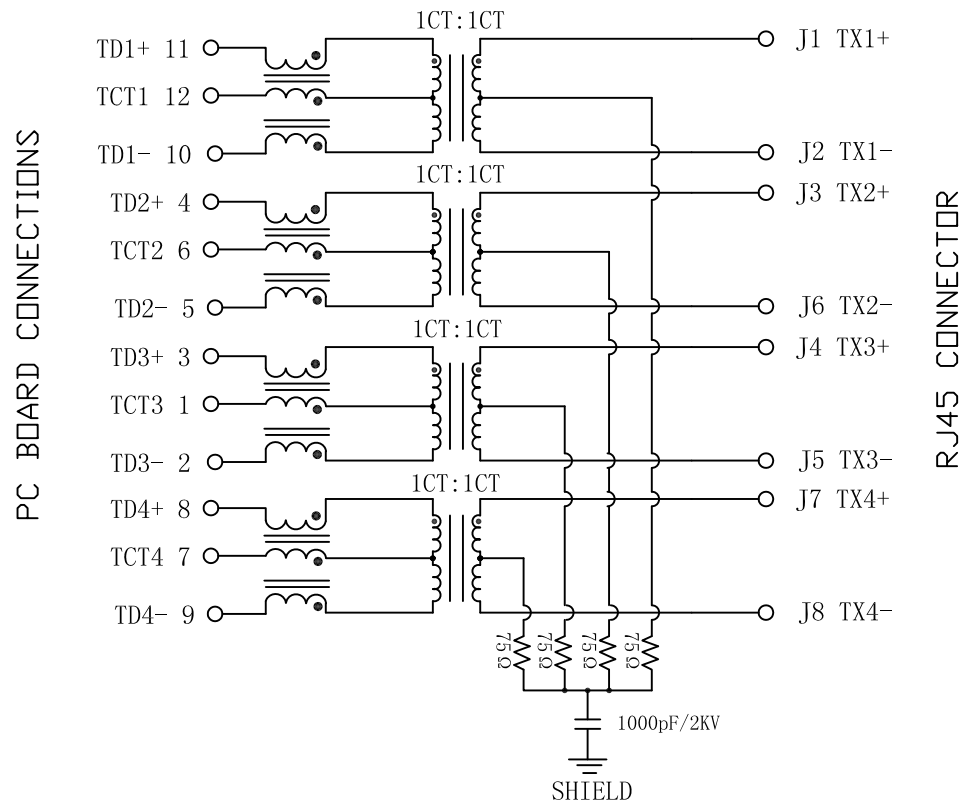


Schematic:

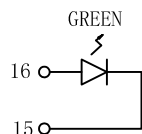
REV.	ECN NO.	DESCRIPTION	DATE	APPD
A	REL		2015-04-21	



Electrical Specifications @25°C

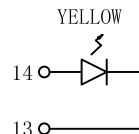
- Turns Ratio ($\pm 2\%$):
Pri:Sec = 1CT:1CT
- OCL:
160uH Min @100KHz/0.1Vrms
- Insertion Loss (dB Max):
0.1-100MHz: -1.0 100-250MHz: -2.0
- Return Loss (dB Min):
1-50MHz: -20
50-250MHz: $-20 + 15 \log(f/40)$ Load 100 Ω
- Crosstalk (dB Min):
1-125MHz: -30 125-250MHz: -25
- CMDR (dB Min):
1-250MHz: -20
- Hi-Pot: 1500Vrms @60Hz
- Operating Temperature: 0°C ~ 70°C.

Emitting Color	λ_p (nm)	V _F @I _F =20mA	I _R @V _R =5V
GREEN	565	1.8~2.6V	10 μ A max
YELLOW	585	1.8~2.6V	10 μ A max



LEFT LED

LED POLARITY		COLOR
PIN 16	PIN 15	
+	-	GREEN



RIGHT LED

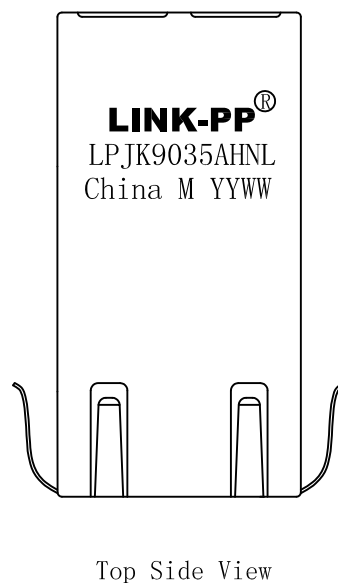
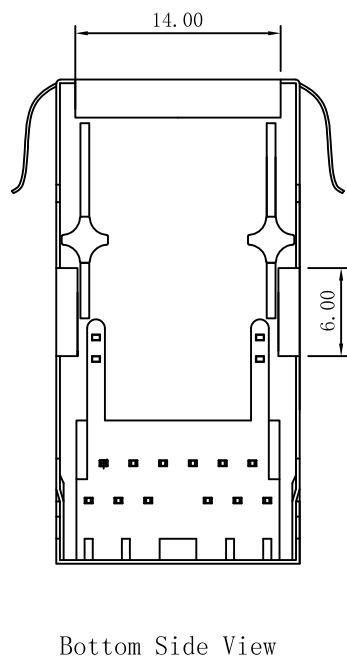
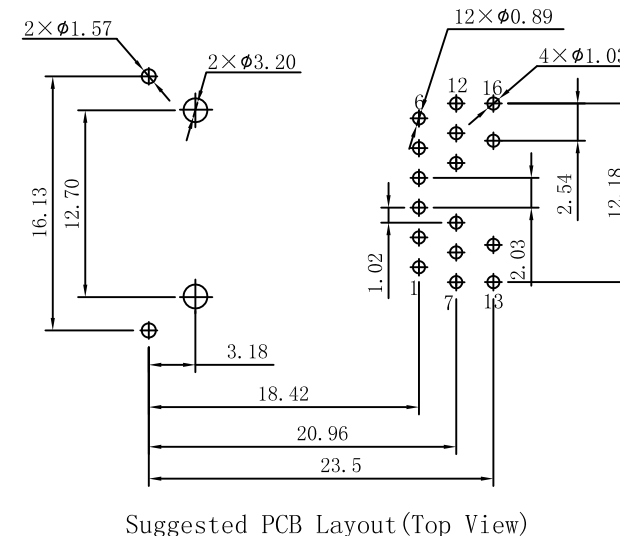
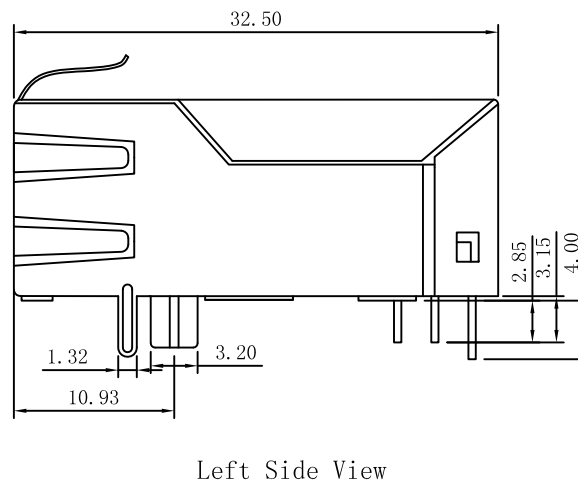
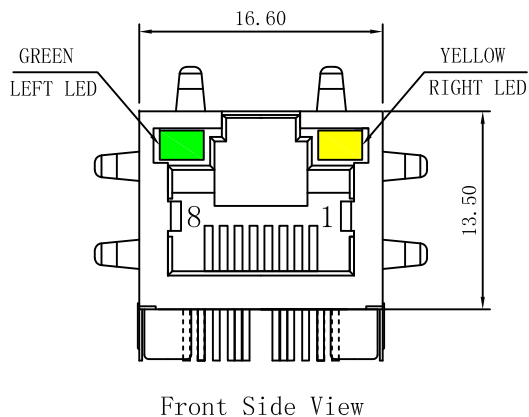
LED POLARITY		COLOR
PIN 14	PIN 13	
+	-	YELLOW



X:X	± 0.30	APPD:	LINK-PP INT'L TECHNOLOGY CO., LIMITED
X:XX	± 0.25	CHKD:	
X:XXX	± 0.05	DR: TOM	
ANGLES $\pm 1^\circ$		UNIT: mm	TITLE: RJ45 Connector with 2.5G/5G Base-T Integrated Magnetics
			PART NO.: LPJK9035AHNL
	SCALE: 2/1	SHEET: 1/2	REV: A
			DWG NO.: LP15042119

Mechanical :

REV.	ECN NO.	DESCRIPTION	DATE	APPD
A	REL		2015-04-21	



NOTES:

1. Designed to support application, such as SOHO (ADSL modems), LAN-on-Motherboard (LOM), hub and Switches.
2. Meets IEEE 802.3 specification
3. Connector Materials:
 Housing: Thermoplastic UL94V-0
 Contact/Shield: Copper alloy
 Shield plating: Nickel
 Contact plating: Gold 6 micro-inches Min. In contact area.
4. Wave peak temperature: 260°C Max, 5Sec.
5. UL Certification: File Number E484635.



X:X ±0.30	APPD:	LINK-PP INT'L TECHNOLOGY CO., LIMITED
X:XX ±0.25	CHKD:	
X:XXX ±0.05	DR: TOM	TITLE: RJ45 Connector with 2.5G/5G Base-T Integrated Magnetics
ANGLES ±1°	UNIT: mm	PART NO.: LPJK9035AHNL
	SCALE: 2/1	SHEET: 2/2
	REV: A	DWG NO.: LP15042119